

# POWERFLEX®

## PART NUMBER

# PFF40-701

## DESCRIPTION

# FRONT LOWER ARM INNER BUSH

## INSTALLATION GUIDE

### Contents (parts per pack):

2 x Polyurethane Bushes      4 x Mild Steel Outer Shells  
2 x Stainless Steel Sleeves      1 x PTFE/Silicone Grease

Please read the complete fitting instructions and check package components before fitment. These fitting instructions are to be used as a guide and in conjunction with workshop manual.

It is recommended that:

- all work to be carried out by a licensed technician;
- all safety precautions adhered to;
- wheel alignment to be checked and adjusted as required after any suspension work.
- All fasteners must be tensioned to manufacturer's torque settings.

### Fitting Instructions:

1. Remove the original rubber bush from the arm including outer shell, clean any dirt and corrosion from the bore in the arm. Using a file, remove any sharp edges from around the bore of the arm creating a small chamfer.

2. Press in one of the outer shells from the top of the arm as shown in figure 1. Start with the leading edge and ensure that the bush is pressed in square. Ensure the top lip of the shell is pressed flush against the top of the arm

3. Then press in another outer shell into the other side of the arm, see figure 1.

4. Press the bush into the bore of the outer shell as shown in figure 1.

**Tip: Press in the bush with a some washing up liquid around the bore of the arm.**

5. Apply some of the supplied grease to the bore of the polyurethane bush and insert the sleeve into the bore of the bush.

6. Refit the arm back to the vehicle and then tension all hardware to manufacturers recommended torque settings

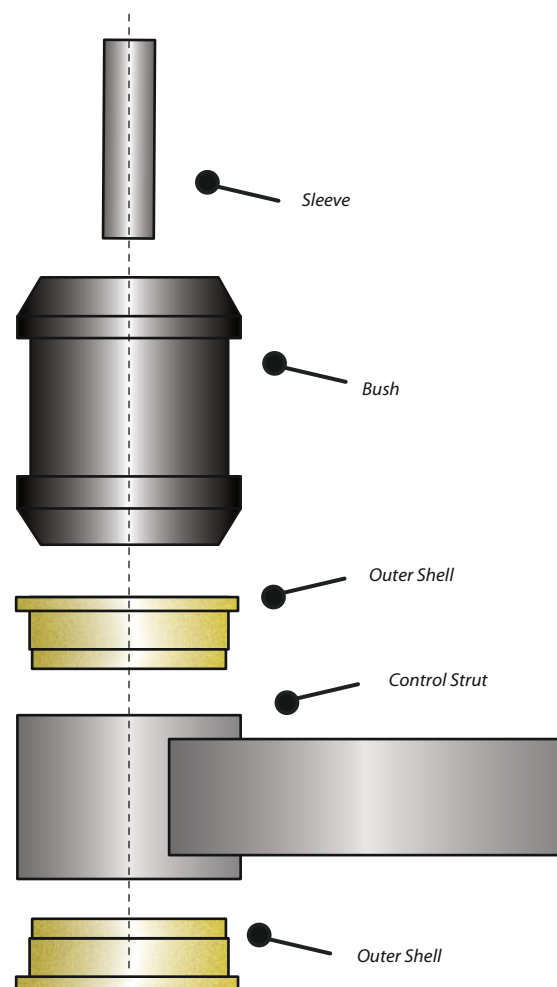


Figure 1



Figure 2